

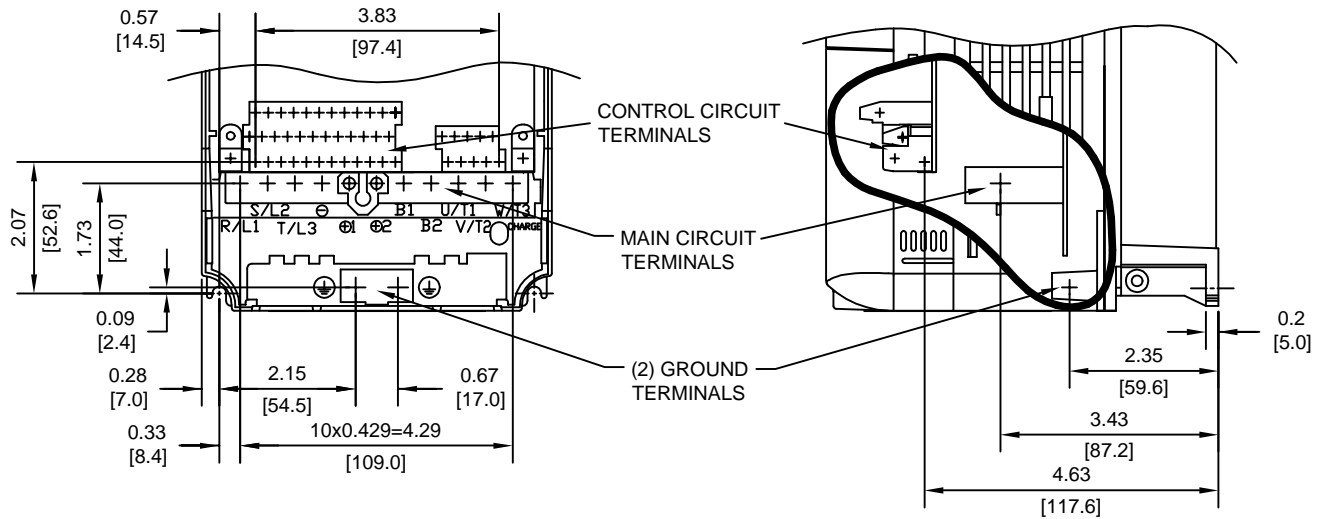
MODEL #	VOLTAGE (VAC)	OUTPUT CURRENT (A)	WEIGHT LBS (Kg)	HEAT LOSS (W)		
				INT	EXT	TOTAL
20P4	208/240	3.2	6.6 (3.0)	36	21	57
20P7		6.0	6.6 (3.0)	42	43	85
21P5		8.0	6.6 (3.0)	47	58	105
40P4	480	1.8	7.7 (3.5)	39	10	49
40P7		3.4	7.7 (3.5)	44	21	65

INT=INTERNAL COMPONENTS
 EXT=EXTERNAL HEATSINK

FOR ADDITIONAL DETAILS AND SPECIFICATIONS, CONSULT MANUAL

TOLERANCES/REFERENCES: - - - -	 YASKAWA <i>A World of Automation Solutions™</i> YASKAWA ELECTRIC AMERICA, INC. Corporate Headquarters 2121 Norman Drive South Waukegan, IL 60085 1-800-YASKAWA http://www.yaskawa.com	DRAWN: J. MATTAS DATE: 2-11-04	TITLE: G7 DIMENSION DRAWING FRAME SIZE 1 NEMA TYPE 1/IP20 AND IP00 G7U20P4 TO 21P5, 40P4 TO 40P7
		CHECKED: E. KU DATE: 4-4-04	TECH: J. CAIRO DATE: 2-26-04
UNITS: IN[mm]	SCALE: 1:4	APPROVED: T. SASADA DATE: 4-7-04	PAGE 1 of 2
		ORIGINAL DESIGN: -	DRAWING #: DD.G7.FR1.N1.01

TERMINAL AND WIRING DETAILS (SCALE 1:3)

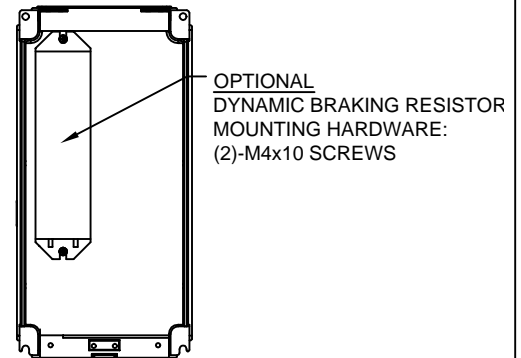


TERMINAL AND WIRE SPECIFICATIONS FOR MAIN CIRCUIT AND GROUND

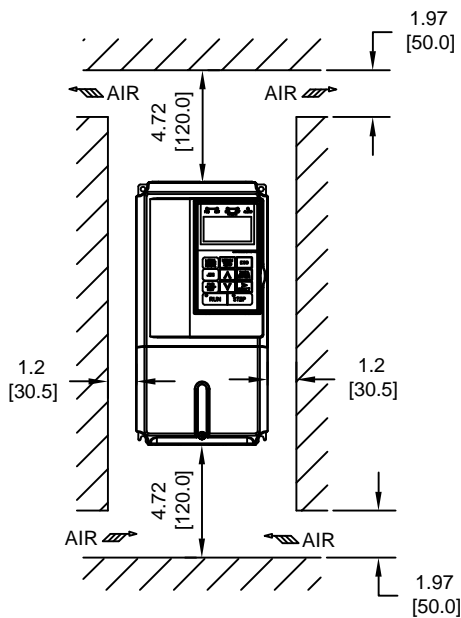
MODEL # CIMR-G7U	TERMINAL SCREW	CLAMPING TORQUE lb.in.(N.m.)	WIRE RANGE AWG(mm ²)
20P4	M4	10.6 TO 13.2 (1.2 TO 1.5)	18-10 (0.82-5.5)
20P7	M4	10.6 TO 13.2 (1.2 TO 1.5)	18-10 (0.82-5.5)
21P5	M4	10.6 TO 13.2 (1.2 TO 1.5)	18-10 (0.82-5.5)
40P4	M4	10.6 TO 13.2 (1.2 TO 1.5)	18-10 (0.82-5.5)
40P7	M4	10.6 TO 13.2 (1.2 TO 1.5)	18-10 (0.82-5.5)

NOTE: REFER TO APPLICABLE CODES FOR PROPER WIRE TYPE AND SIZE

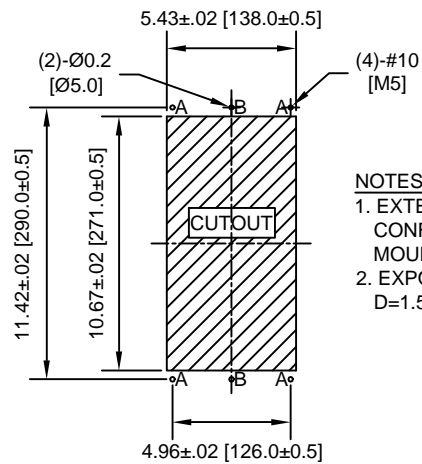
SIMPLIFIED REAR VIEW (SCALE 1:6)



MINIMUM INSTALLATION CLEARANCES (SCALE 1:8)



PANEL CUTOUT FOR EXTERNAL HEATSINK MOUNTING CONFIGURATION (SCALE 1:8)



- NOTES:
- EXTERNAL HEATSINK CONFIGURATION REQUIRES MOUNTING KIT
 - EXPOSED HEATSINK DEPTH D=1.54" MINUS PANEL THICKNESS

FOR ADDITIONAL DETAILS AND SPECIFICATIONS, CONSULT MANUAL

TOLERANCES/REFERENCES:		<p>YASKAWA A World of Automation Solutions™</p> <p>YASKAWA ELECTRIC AMERICA, INC. Corporate Headquarters 2121 Norman Drive South Waukegan, IL 60085 1-800-YASKAWA http://www.yaskawa.com</p>	DRAWN: J. MATTAS DATE: 2-11-04	TITLE: G7 DIMENSION DRAWING FRAME SIZE 1 NEMA TYPE 1/P20 AND IP00 G7U20P4 TO 21P5, 40P4 TO 40P7			
			CHECKED: E. KU DATE: 4-4-04	TECH: J. CAIRO DATE: 2-26-04	SIZE A	REVISION -	PAGE 2 of 2
UNITS: IN[mm]			APPROVED: T. SASADA DATE: 4-7-04	ORIGINAL DESIGN: -	DRAWING #: DD.G7.FR1.N1.01		
SCALE: BY VIEW							